

Hose Reels | Premium

HOSE
REELS

Premium Hose Reel for the toughest shop environments

Today's heavy-duty hose reel market demands an innovative use of components that provide long life, improved serviceability, and superior structural design. Our Premium reel incorporates advanced design features that ensures long life in the toughest environments while reducing overall weight. All Premium series reels have a narrow design; includes hose, hose stop, and a 2.5' connecting hose.

Superb Corrosion Resistance

Powder coated steel base, dual arm, and rugged steel spool provides superior corrosion resistance.

Superior Structural Design and Stability

Unique precision laser cut 8-gauge steel base and outlet arm provides structural strength and rigidity. Rugged steel spool for precise quality, dimension, and strength.

Fully Ported Shaft and Pressure Balanced Swivel

Increases flow and decreases frictional pressure loss through the hose reel. Improves overall system performance and reliability.



High Quality Long Life Power Spring

The power spring is manufactured with high quality, fatigue resistant steel, for long and trouble free operation.

Spool Mounted on Dual Ball-Bearings

The spool is mounted on two permanently lubricated and sealed ball-bearings; reducing friction, providing smooth hose retraction, effortless operation, and improved power spring life.

Rectangular Hose Guide Outlet with Rollers

Smooth and easy operation pulling from any angle prevents hose pinch and reduces wear. Sturdy metal constructed guide.

7-Position Outlet Arm

Provide ease of changing from ceiling to base mount: seven positions for any application and mounting configuration. The stop pawl is accessible from the arm, reducing the possibility of a "latch-out" situation.



12-Position Latching Mechanism

Six latching teeth on each side of the spring case provides multiple hose lock positions.

Fluid Compatibility for Multiple Applications

Electroless nickel plated protected shaft provides maximum fluid compatibility. The shaft is manufactured as a single piece, with no threaded unions. For delivery of low-pressure air and water, medium-pressure lubricants, and high pressure grease for automotive, construction, and industrial applications.

LED Ready Light Port

Exclusive 1/2" round opening designed for Balcrank's Fluid Inventory Control system LED ready light. No separate hardware required. Ready light sold separately item #3120-031.

Easy Maintenance and Service

Design provides maximum access to all serviceable parts. Hose replacement, ratchet, and swivel inspection can be done easily without dismantling the reel. Power Spring tension can be adjusted on site by removing one arm adding or removing hose wraps from the spool.

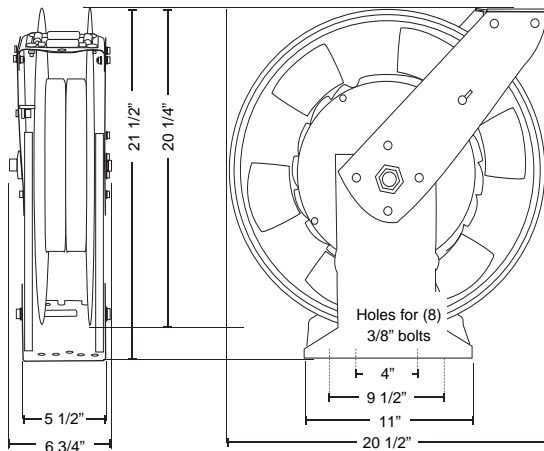
Easy Installation Mounting and Accessories

Classic, Evolution and Premium hose reels utilize the same foot print, and mounting accessories

2.5' Inlet Connecting Hose Included

Provides additional flexibility for your installation.

DIMENSIONS



SPECIFICATIONS

Low & Medium Pressure Reels

Fluid inlet port	1/2" NPT(F) swivel
Fluid outlet port	1/2" NPT(F) swivel
Outlet thread	1/2" NPT(M) for 3/8" ID Hoses
	1/2" NPT(M) for 1/2" ID Hoses
Wetted Materials	Nickel plated steel and Buna-N™

High Pressure Reels

Fluid inlet port	3/8" NPT(F) swivel
Fluid outlet port	3/8" NPT(F) swivel
Outlet thread	1/4" NPT(M) for 1/4" ID Hoses
	1/4" NPT(M) for 3/8" ID Hoses
Wetted Materials	Nickel plated steel, hardened steel and Polyethylene

SERVICE BULLETIN & ACCESSORIES

Service Bulletin	SB2027
Accessories pg.	89

AVAILABLE MODELS

Air & Water Low Pressure 300 psi for delivery of air, water, coolant, and windshield washer fluid.

Item	Description	Replacement Hose
2111-027	Bare reel - up to 50' Hose	--
2111-028	Bare reel - up to 60' Hose	--
2111-031	30' x 3/8" ID hose	8136-030
2111-032	40' x 3/8" ID hose	8136-040
2111-033	50' x 3/8" ID hose	8136-050
2111-034	60' x 3/8" ID hose (50' + 10')*	8136-060
2111-035	40' x 1/2" ID hose	8141-040
2111-036	50' x 1/2" ID hose	8141-050
2111-037	60' x 1/2" ID hose (50' + 10')*	8141-060

Oil Medium Pressure 3,000 psi for delivery of lubricants.

2111-027	Bare reel - up to 50' Hose	--
2111-028	Bare reel - up to 60' Hose	--
2111-038	30' x 1/2" ID hose	8241-030
2111-039	40' x 1/2" ID hose	8241-040
2111-040	50' x 1/2" ID hose	8241-050
2111-041	60' x 1/2" ID hose (50' + 10')*	8241-060

Grease High-pressure 4,000 & 5,000 psi for delivery of grease.

2111-029	Bare reel - up to 50' Hose	--
2111-030	Bare reel - up to 60' Hose	--
2111-045	40' x 3/8" ID hose 4,000 psi	8332-040
2111-046	50' x 3/8" ID hose 4,000 psi	8332-050
2111-047	60' x 3/8" ID hose (50' + 10')* 4,000 psi	8332-060
2111-042	40' x 1/4" ID hose 5,000 psi	8323-040
2111-043	50' x 1/4" ID hose 5,000 psi	8323-050
2111-044	60' x 1/4" ID hose (50' + 10')* 5,000 psi	8323-060

* 50' on spool with 10' hanging