



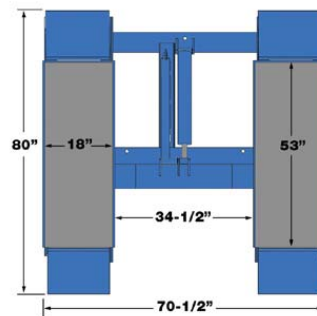
LR-60



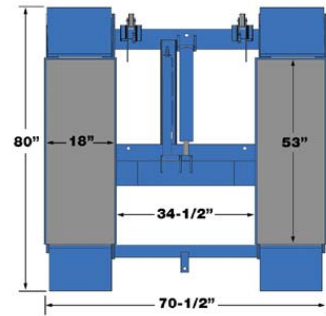
LR-60P

Brand: Bend-Pak
Models: LR-60 / LR-60P
Description: Standard Low-Rise Lift

- Standard or portable models
- 6,000 pound lifting capacity
- Electric/hydraulic power system
- Hands-free safety system
- Rubber lifting blocks included
- Dropped cross bar for added clearance
- Heavy-duty steel channel frame



LR-60



LR-60P (Portable)

MODEL	LR-60	LR-60P
Style:	Low-Rise / Frame Engage	Low-Rise / Frame Engage / Portable
Lifting Capacity:	6,000 lbs. / 2722 Kg.	6,000 lbs. / 2722 Kg.
Lifting Height (Less Lift Blocks):	26" / 660 mm.	26" / 660 mm.
Lowered Height:	4" / 102 mm.	4" / 102 mm.
Lifting Time:	35 / Seconds	35 / Seconds
Motor (*)	110-220 VAC / 60 Hz. 1Ph.	110-220 VAC / 60 Hz. 1Ph.

* Special Voltages Available Upon Request.

The design, material and specifications are subject to change without notice.