



Applications: Delivery of compressed air, low pressure water and fluids; medium pressure lubricants, high pressure hot and cold water and high pressure grease in vehicle maintenance shops, general industry, agriculture, service stations, marine, aviation, etc.

Aluminium and composite material single arm hose reel for air, water, oil, antifreeze, windshield wash fluid, high pressure hot and cold water and grease with hose capacity up to 60' (18.25 m) x 1/2" hose.

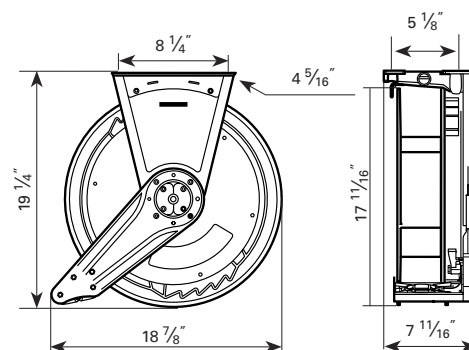
Main features:

- Aluminium base and guide arm provides this reel with the rigidity to withstand even the most demanding applications, while offering a reduced weight for easy off installation (hose reel weight with 50' (15 m) x 1/2" hose is only 33 lbs (14.9 Kg.).
- Epoxy powder coated aluminium base and arm, composite material spool and stainless steel fasteners provide superb corrosion resistance for working in damp environments.
- Nickel protected shaft and swivel for wear and corrosion resistance and wide fluid compatibility.
- Spool mounted on two sealed and permanently lubricated EMQ (electric motor quality) 10,000 rpm rated chrome steel ball bearings for an easy pull out of the hose and better spring performance.
- Large effective radial latching area for easier operation.
- Round 6 roller hose outlet increases hose life, prevents hose pinching and reduces friction.



Single arm design allows easy maintenance: hose replacement and ratchet and swivel inspection can be done without disassembly of the reel.

Additionally, power spring tension can be adjusted on-site with the system under pressure and without the need to use any tool or to remove the hose stop and control valve, regardless of the reel height and mounting position. Spring tension can be increased simply by adding hose loops to the spool and it can be decreased by removing hose loops.



INLET HOSE INCLUDED WITH ALL SERIES 506 REELS.

PART N°	HOSE LENGTH	HOSE DIAMETER I.D. - O.D.	HOSE OUTLET THREAD	INLET THREAD	HOSE TYPE	HOSE WORKING PRESSURE	NET WEIGHT	BARE REEL PART N°
COMPRESSED AIR AND LOW PRESSURE WATER, WINDSHIELD WASHER AND ANTIFREEZE								
506 101-A	30' - (9.1 m)	3/8" - 11/16"	3/8" NPT (M)	1/2" NPT (M)	A	300 psi - (20 bar)	26.7 lb	506 920-A
506 121-A	50' - (15.2 m)	3/8" - 11/16"	3/8" NPT (M)	1/2" NPT (M)	A	300 psi - (20 bar)	31.3 lb	506 922-A
506 122-A	50' - (15.2 m)	1/2" - 25/32"	1/2" NPT (M)	1/2" NPT (M)	A	300 psi - (20 bar)	32.8 lb	506 912-A
OIL, ANTIFREEZE, AIR AND WATER								
506 202-A	30' - (9.1 m)	1/2" - 23/32"	1/2" NPT (M)	1/2" NPT (M)	G	1.500 psi - (100 bar)	27.8 lb	506 920-A
506 222-A	50' - (15.2 m)	1/2" - 23/32"	1/2" NPT (M)	1/2" NPT (M)	G	1.500 psi - (100 bar)	32.8 lb	506 922-A
506 212-A	60' - (18.25 m)	1/2" - 23/32"	1/2" NPT (M)	1/2" NPT (M)	G	1.500 psi - (100 bar)	34.6 lb	506 924-A
WASTE OIL SUCTION								
506 503-A	20' - (6.1 m)	5/8" - 29/32"	1/2" NPT (M)	1/2" NPT (M)	D	1.500 psi - (100 bar)	29.3 lb	506 950-A
GREASE								
506 300-A	30' - (9.1 m)	1/4" - 9/16"	1/4" NPT (M)	1/4" NPT (M)	E	5000 psi - (350 bar)	27.3 lb	506 930-A
506 321-A	50' - (15.2 m)	3/8" - 11/16"	1/4" NPT (M)	3/8" NPT (M)	E	4000 psi - (280 bar)	35.3 lb	506 936-A
506 311-A	60' - (18.25 m)	3/8" - 11/16"	1/4" NPT (M)	3/8" NPT (M)	E	4000 psi - (280 bar)	37.5 lb	506 935-A
DEF (AISI 316 STAINLESS STEEL SHAFT AND SWIVEL)								
506 702-A	30' - (9.1 m)	1/2" - 27/32"	3/4" BSPP (M)	1/2" BSPP (M)	B	300 psi - (20 bar)	28.7 lb	506 970-A
506 722-A	50' - (5.2 m)	1/2" - 27/32"	3/4" BSPP (M)	1/2" BSPP (M)	B	300 psi - (20 bar)	28.7 lb	506 970-A

• Models with 60' of hose should be used in installations allowing a minimum of 10' of fluid hose hanging from the reel, and never with the hose totally coiled inside the reel. All models with hose include a 2'6" inlet hose.

HOSE	HOSE TYPE	TEMP RANGE		HOSE FITTINGS IN FREE HOSE ENDS		HOSE FITTINGS FOR SHAFT AND SWIVEL CONNECTIONS	
		MIN.	MAX.	DISTRIBUTION HOSE	INLET HOSE	DISTRIBUTION HOSE SWIVEL CONNECTION	INLET HOSE SHAFT CONNECTION
A	BUNA S (SBR). Synthetic textile braid.	-24° F	+160° F	Male BSPT, zinc plated steel.	Male BSPT, zinc plated steel.	Swept elbow female BSP 60° cone, zinc plated steel.	Swept elbow female BSP 60° cone, zinc plated steel.
B	EPDM. Synthetic textile braid.	-40° F	+200° F	Stainless steel female BSP 60° cone and male BSP 60° cone adaptor.	Stainless steel female BSP 60° cone and male BSP 60° cone adaptor.	Stainless steel swept elbow female BSP 60° cone adaptor.	Stainless steel swept elbow female BSP 60° cone adaptor.
C	BUNA S (SBR). One steel braid.	-40° F	+300° F	Female BSP 60° cone and male BSP 60° cone adaptor, zinc plated steel.	Female BSP 60° cone and male BSP 60° cone adaptor, zinc plated steel.	Swept elbow female BSP 60° cone, zinc plated steel.	Swept elbow female BSP 60° cone, zinc plated steel.
D	BUNA N (NBR). One steel braid.	-40° F	+212 °F	Female BSP 60° cone and male BSP 60° cone adaptor, zinc plated steel.	Female BSP 60° cone and male BSP 60° cone adaptor, zinc plated steel.	Swept elbow female BSP 60° cone, zinc plated steel.	Swept elbow female BSP 60° cone, zinc plated steel.
E	BUNA N (NBR). One high density steel braid.	-40° F	+212 °F	Male BSPT, zinc plated steel.	Female BSP 60° cone and male BSP 60° cone adaptor, zinc plated steel.	Swept elbow female BSP 60° cone, zinc plated steel.	Swept elbow female BSP 60° cone, zinc plated steel.
F	EPDM with syntetic braid	-40° F	+200° F	Male NPT Zinc plated Steel	Male NPT Swivel Zinc plated Steel	Male NPT Swivel Zinc plated Steel	Male NPT Zinc plated Steel
G	Co-Polyester liner with 1X Steel Braid	-40° F	+212° F	Male NPT Zinc plated Steel	Male NPT Swivel Zinc plated Steel	Male NPT Swivel Zinc plated Steel	Male NPT Zinc plated Steel
H	Co-Polyester liner with 2X Steel Braid	-40° F	+212° F	Male NPT Zinc plated Steel	Male NPT Swivel Zinc plated Steel	Male NPT Swivel Zinc plated Steel	Male NPT Zinc plated Steel
I	Polyurethane liner with TPR cover	-40° F	+140° F	Stainless	Stainless Swivel	Stainless Swivel	Stainless

NBR: Nitrile butadiene rubber. • SBR: Styrene butadiene rubber. • EPDM: Ethylene propylene diene M-class rubber.

1400 SERIES DOUBLE PEDESTAL ARM HOSE REEL

OPEN TYPE HOSE REELS - 1400 SERIES



Applications: Delivery of compressed air, low pressure water, lubricants and grease in vehicle maintenance shops, general industry, agriculture, service stations, etc.

Double pedestal hose reel for air, low pressure water, medium pressure lubricants and high pressure grease. All metal arm construction, can handle up to 40' of 1/2" hose.

Main features:

- Brass forged shaft compatible with a wide range of fluids ensures corrosion free and leak proof operation.
- Robust all steel construction with double pedestal arm design.
- Special fatigue resistant steel spring for years of durable performance.
- Epoxy powder coated for increased wear resistance.
- Positionable outlet arms for an optimum operation in any mounting position: wall, ceiling, floor or tank.
- No special maintenance required.

Model No.	Hose Length	Hose Inner Diameter	Outlet Thread	Inlet Thread	Hose ° Type	Hose Pressure Rating	Delivery Hose Part No.	Inlet Hose Part No.	Net Weight	Reel w/ out Hose
1400 Series										
Compressed air, Antifreeze, WW Washer, and low pressure Water										
1411	30'	3/8"	3/8" NPT (M)	1/2" NPSM (F)	F	300PSI	817	822	41	1402
1413	40'	3/8"	3/8" NPT (M)	1/2" NPSM (F)	F	300PSI	818	822	43	1402
1417	40'	1/2"	1/2" NPT (M)	1/2" NPSM (F)	F	300PSI	828	822	46	1402
Medium Pressure Oil and other compatible fluids										
1424	30'	3/8"	3/8" NPT (M)	1/2" NPSM (F)	G	1500PSI	839	845	42	1402
1425	40'	3/8"	3/8" NPT (M)	1/2" NPSM (F)	G	1500PSI	841	845	45	1402
1428	30'	1/2"	1/2" NPT (M)	1/2" NPSM (F)	G	1500PSI*	851	845	45	1402
1426	40'	1/2"	1/2" NPT (M)	1/2" NPSM (F)	G	1500PSI*	853	845	44	1402
High Pressure Grease										
1432	40'	1/4"	1/4" NPT (M)	3/8" NPSM (F)	H	5000PSI	878 000	883	45	1403
1435	40'	3/8"	1/4" NPT (M)	3/8" NPSM (F)	H	4000PSI	891 000	883	48	1403

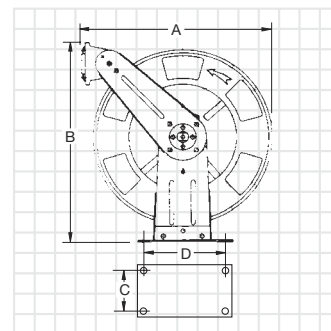
* Reels include inlet swivel and models with hose include hose stop.

° See page 26 for hose table.

1. Maximum working pressure is the minimum working pressure of the individual components used, normally the hose.

*2000 PSI Medium pressure hose optionally available

1. Models supplied without inlet hose. Maximum working pressure is the minimum working pressure of the individual components used, normally the hose.

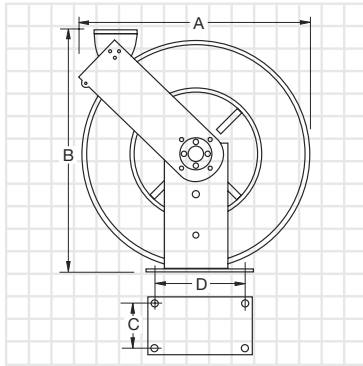


- A:** 19 1/4"
- B:** 20 1/2"
- C:** 5 3/16"
- D:** 8 1/2"

1650 SERIES DOUBLE PEDESTAL ARM HOSE REEL

OPEN TYPE HOSE REELS - 1650 SERIES

Applications: Delivery of compressed air, low and high pressure water, lubricants and grease in vehicle maintenance shops, field service units and lubrication trucks, mining, construction, general industry, agriculture, service stations, etc.



A: 20 1/2"
B: 22 1/4"
C: 5 3/16"
D: 8 1/2"



Heavy Duty reinforced double pedestal hose reel for air, low and high pressure water, medium pressure oil and high pressure grease. All metal construction, can handle up to 60' of 1/2" hose.

Main features:

- Brass forged shaft compatible with a wide range of fluids ensures corrosion free and leak proof operation.
- Very robust reinforced all steel Heavy Duty construction with double pedestal arm design.
- Special fatigue resistant steel spring for years of durable performance.
- Epoxy powder coated for increased wear resistance.
- Positionable outlet arms for an optimum operation in any mounting position: wall, ceiling, floor or tank.
- No special maintenance required.

Model No.	Hose Length	Hose Inner Diameter	Outlet Thread	Inlet Thread	Hose ° Type	Hose Pressure Rating	Delivery Hose Part No.	Inlet Hose Part No.	Net Weight	Reel w/ out Hose
1650 Series										
Compressed air, Antifreeze, WW Washer, and low pressure Water										
1660	50'	3/8"	3/8" NPT (M)	1/2" NPSM (F)	F	300PSI	819	822	63	1652
1661	60'	3/8"	3/8" NPT (M)	1/2" NPSM (F)	F	300PSI	820	822	68	1652
1663	50'	1/2"	1/2" NPT (M)	1/2" NPSM (F)	F	300PSI	829	822	64	1652
1665	60'	1/2"	1/2" NPT (M)	1/2" NPSM (F)	F	300PSI	830	822	66	1652
Medium Pressure Oil and other compatible fluids										
1672	50'	3/8"	3/8" NPT (M)	1/2" NPSM (F)	G	1500PSI	842	845	69	1652
1673	60'	3/8"	3/8" NPT (M)	1/2" NPSM (F)	G	1500PSI	843	845	66	1652
1674	50'	1/2"	1/2" NPT (M)	1/2" NPSM (F)	G	1500PSI*	854	845	66	1652
1676	60'	1/2"	1/2" NPT (M)	1/2" NPSM (F)	G	1500PSI*	855	845	71	1652
High Pressure Grease										
1680	50'	1/4"	1/4" NPT (M)	3/8" NPSM (F)	H	5000PSI	879 000	883	67	1653
1681	60'	1/4"	1/4" NPT (M)	3/8" NPSM (F)	H	5000PSI	880 000	883	72	1653
1682	50'	3/8"	1/4" NPT (M)	3/8" NPSM (F)	H	4000PSI	892 000	883	67	1653
1683	60'	3/8"	1/4" NPT (M)	3/8" NPSM (F)	H	4000PSI	893 000	883	68	1653

° See page 26 for hose table.

*2000 PSI Medium pressure hose optionally available

1. Models supplied without inlet hose. Maximum working pressure is the minimum working pressure of the individual components used, normally the hose.

507 SERIES INDIVIDUALLY ENCLOSED HOSE REEL



ENCLOSED REEL PROBLEMS SOLVED

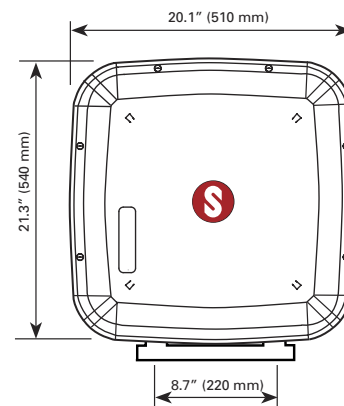
Using modern materials and a unique design, the 507 hose reel eliminates all typical disadvantages of enclosed reels such as limited hose capacity, excessive weight, difficult maintenance, etc.

INCREASED HOSE CAPACITY

The 507 hose reel exclusive design allows to efficiently handle up to 50' (15 m) of 1/2" hose. Models for 60' (18 m) are also available for installations allowing a minimum of 10' (3 m) of hose hanging from the reel.

FLUID COMPATIBILITY

Nickel protected shaft and swivel provide maximum fluid compatibility. The 507 series reels can be used with a wide variety of fluids: low pressure air, water and windshield washer, medium pressure lubricants and antifreeze solution, high pressure grease and cold and hot water. The shaft is manufactured in one single piece, with no threaded unions, eliminating the risk of leaks.



Model No.	Hose Length	Hose Diameter Noninal - I.D. X O.D.	Outlet Thread	Inlet Thread	Hose Pressure Rating	Hose Burst Pressure	Net Weight
507 Series							
Compressed Air And Low Pressure Water							
507 101	30' - 10 M	3/8" - 17 X 10 Mm	3/8" NPT (M)	1/2" NPT (M)	300 Psi - 20 Bar	650 Psi - 45 Bar	40.6 lb (18.4 Kg)
507 121	50' - 15 M	3/8" - 17 X 10 Mm	3/8" NPT (M)	1/2" NPT (M)	300 Psi - 20 Bar	650 Psi - 45 Bar	45.6 lb (20.7 Kg)
507 122	50' - 15 M	1/2" - 20 X 12.5 Mm	1/2" NPT (M)	1/2" NPT (M)	300 Psi - 20 Bar	650 Psi - 45 Bar	47.2 lb (21.4 Kg)
Oil, Antifreeze, Air And Water							
507 202	30' - 10 M	1/2" - 18 X 12.5 Mm	1/2" NPT (M)	1/2" NPT (M)	1,500 Psi - 100 Bar	6,000 Psi - 400 Bar	41.7 lb (18.9 Kg)
507 222	50' - 15 M	1/2" - 18 X 12.5 Mm	1/2" NPT (M)	1/2" NPT (M)	1,500 Psi - 100 Bar	6,000 Psi - 400 Bar	47.2 lb (21.4 Kg)
507 212	60' - 18 M	1/2" - 18 X 12.5 Mm	1/2" NPT (M)	1/2" NPT (M)	1,500 Psi - 100 Bar	6,000 Psi - 400 Bar	48.9 lb (22.2 Kg)
Waste Oil Suction							
507 503	20' - 6 M	5/8" - 23 X 16 Mm	1/2" NPT (M)	1/2" NPT (M)	1,500 Psi - 100 Bar	6,000 Psi - 400 Bar	42.1 lb (19.1 Kg)
Grease							
507 300	30' - 10 M	1/4" - 14 X 6.4 Mm	1/4" NPT (M)	1/4" NPT (M)	5,000 Psi - 350 Bar	20,000 Psi - 1.400 Bar	41.4 lb (18.8 Kg)
507 321	50' - 15 M	3/8" - 17 X 10 Mm	1/4" NPT (M)	3/8" NPT (M)	4,000 Psi - 280 Bar	16,000 Psi - 1.120 Bar	49.8 lb (22.6 Kg)
507 311	60' - 18 M	3/8" - 17 X 10 Mm	1/4" NPT (M)	3/8" NPT (M)	4,000 Psi - 280 Bar	16,000 Psi - 1.120 Bar	51.8 lb (23.5 Kg)
Adblue (Def)							
507 702	30' - 10 M	1/2" - 21 X 12.5 Mm	3/4" BSPP (M)	1/2" BSPP (M)	300 Psi - 20 Bar	1,200 Psi - 80 Bar	41.9 lb (19 Kg)
507 722	50' - 15 M	1/2" - 21 X 12.5 Mm	3/4" BSPP (M)	1/2" BSPP (M)	300 Psi - 20 Bar	1,200 Psi - 80 Bar	47.4 lb (21.5 Kg)

(1) Swaged male tapered threads. (2) Swaged 60° cone nut and 60° double male adaptor.

• Models with 18 m - 60' of hose should be used in installations allowing a minimum of 3 m - 10' of fluid hose hanging from the reel, and never with the hose totally coiled inside the reel.
 • All models with hose include a 0,8 m - 2.5' inlet hose.

7500 SERIES HIGH CAPACITY HOSE REELS

DOUBLE PEDESTAL ARM HOSE REEL - 7500 SERIES

Applications: Delivery of low pressure air, water, AdBlue (DEF), diesel and medium pressure lubricants in vehicle maintenance shops, field service units and lubrication trucks, mining, construction, general industry, agriculture, etc.

Heavy Duty reinforced double pedestal arm hose reel. All metal construction, can handle up to 50' of 3/4" hose or 65' of 1/2" hose.

Main features:

- Full 3/4" port shaft and swivel for maximum delivery with no flow restriction.
- Very robust reinforced all steel Heavy Duty construction with double pedestal arm design.
- Special fatigue resistant steel spring for years of durable performance.
- Epoxy powder coated for increased wear resistance.
- Positionable outlet arms for an optimum operation in any mounting position: wall, ceiling, floor or tank.
- Model 505 010 has stainless steel shaft and swivel and is compatible with AdBlue (DEF).
- No special maintenance required.



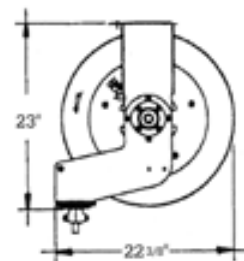
Model No.	Hose Length	Hose Inner Diameter	Outlet Thread	Inlet Thread	Hose Type	Hose Pressure Rating	Delivery Hose Part No.	Inlet Hose Part No.	Net Weight	Reel w/ out Hose
7500 Series										
Compressed air, Antifreeze, WW Washer, and low pressure Water										
7585 †	75'	1/2"	1/2" NPT (M)	3/4" NPSM (F)	F	300PSI	831	832	93	7500 ✓
Medium Pressure Oil and other compatible fluids										
7575 †	75'	1/2"	1/2" NPT (M)	3/4" NPSM (F)	G	1500PSI*	856	860	93	7500 ✓
7550	50'	3/4"	3/4" NPT (M)	3/4" NPSM (F)	G	1250PSI	859	860	93	7500 ✓
High Pressure Grease										
7595 †	75'	3/8"	1/4" NPT (M)	3/8" NPSM (F)	H	4000PSI	894	883	93	7501
DEF										
7551	50'	3/4"	3/4" BSPP (M)	3/4" BSPP (F)	I	210PSI	750505		93	505500
7552	30'	3/4"	1" BSPP (F)	1" BSPP (M)	I	210PSI	750508		93	505500
7553	30'	3/4"	3/4" BSPP (M)	3/4" BSPP (F)	I	210PSI			93	505500

✓77 Bar (1100 psi) max working pressure. Comes SR (side roller) mount. Can be indexed for ceiling mount. Same bolt hole mounting pattern as our standard reels.

° See page 26 for hose table.

*2000 PSI Medium pressure hose optionally available

† Ceiling mount only



Base is 9" wide and 10" deep

1. Models supplied without inlet hose. Maximum working pressure is the minimum working pressure of the individual components used, normally the hose.

* Brackets and stands, include the required nuts, bolts and washers for mounting the hose reels on to them.



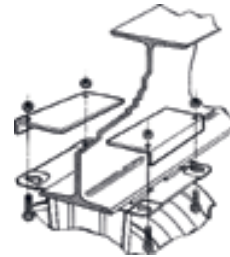
360 119
Fast mount bracket*
Facilitates mounting one reel to a wall or ceiling.
Use with 506, 1400, 1650, 1750, or 7500 series reel.



360 111
Pivoting wall mount bracket*
For open type hose reels (1400 and 1650 series) and individually enclosed reels (1750 series).



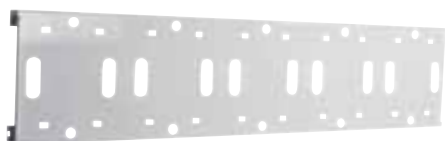
Hose reel brackets to mount hose reels to carts 1305 and 1307. 1399 for cart 1305. 360 135 for cart 1307.



360 116
1389 Hose reel beam bracket* To hang an open reel 1400 or 1650 series or an enclosed reel 1750 series from an "I" beam with flange. Nuts and bolts included.



Model 1390
Channel mounting bracket; attaches to I-beam. Use two with 2 reel and 3 reel mounting channels Use three with 5 reel mounting channel



WALL AND CEILING MOUNTING ACCESSORIES REEL MOUNTING CHANNELS*

For mounting a reel bank to the ceiling or wall.
360 114 For mounting a two reel bank. 21.5" x 12".
360 115 For mounting a three reel bank. 32.5" x 12".
360 117 For mounting a five reel bank. 54.5" x 12".
1390 Secures a reel bank bracket to an I-beam (minimum /maximum I-beam width; 4" - 7".)

Model 1515

Set of peel-off stick-on reel identification labels, set includes:
Anti-freeze, Hydraulic, ATF, Chassis, Water, Gear, Air, SAE 10-40, SAE 10-30, SAE 5-40, SAE 10W, SAE 20-W, SAE 30-W, and one blank label.

FLOOR MOUNTING ACCESSORIES REEL STANDS FOR 1400, 1650, 1750, 506 SERIES REELS

360 160 Six reel stand. Allows mounting up to six reels in a bank. Its use is recommended when it is not desired, or possible to hang reels from the ceiling. Ideal for service in two lubrication bays simultaneously. Dimensions: Height: 98.5", length: 64.5", width: 27.5". Includes paper roll support, waste basket, two perforated pannels, writing desk, drip collector tray and two drawers with lock.



360 162 Three reel stand. For mounting up to a three reel bank between two lubrication bays. Dimensions: Height: 94.5", length: 47", width: 12".

360 161 Two reel stand. Height: 93.5".

GUN HOLDERS AND DRIP POCKETS



360 127



360 122



360 126

360 127, Wall mounted drip pocket and gun holder
360 122, Wall mounted drip pocket
360 126, Gun holder for hose reels

ENCLOSED REEL CABINETS

Cabinets fit 1400, 1650 and 506 series reels



Model	Description
1876	Two-reel mounting channel for reel enclosure
1877	Three-reel mounting channel for reel enclosure
1878	Reel enclosure kit-one per reel required
1879	End panel kit-one per reel bank required

HIGH VOLUME HOSE REEL 508 SERIES

Applications: High volume air and water dispense. High volume oil dispense or transfer. Diesel fuel dispense or transfer. Evacuation of waste oil.

Heavy Duty reel built for maximum durability.

Main features:

- Long-life heavy duty design. Double arm full metal design provides the robustness and strength required to stand the most demanding environments. Heavy gauge steel welded base and epoxy powder coated finishing for longer durability.
- Bearing mounted spool. The spool is mounted on two permanently lubricated and sealed ball bearings. Minimum friction to reduce torque load on power spring for smooth retraction and durability.
- Full port design. Real 1" port, no flow restrictions in shaft and swivel.
- Optimized power spring life and performance. High fatigue resistance spring for a long, trouble free life. Optimized strength for an easy hose pull out, especially those last feet.
- No lockout design. Ratchet is never locked when the hose is fully extended in every mounting position.
- Easy installation and maintenance. Outlet arm can be placed in 6 positions for optimum installation. Hose reel maintenance can be easily performed without dismounting the reel from its position.
- Narrow design. More reels fit in a smaller surface.
- Zinc plated steel rollers. Extra strength and durable outlet for longer life.



Inlet (shaft)	1" NPT(M)
Outlet (Swivel joint)	1" NPT(M)
Inlet hose	1" NPT(M)1
Delivery hose	1" NPT(M)1
Max. working pressure with no hose	1500 psi (100 bar)
Operating temperature	14 °F up to 140 °F (-10 °C up to 60 °C)
Bearings	Sealed ball bearings
Weight with no hose	88 lb (40 kg)

PART NUMBER	HOSE LENGTH	HOSE ID	OUTLET THREAD	INLET THREAD	HOSE WORKING PRESSURE	BARE REEL
LOW PRESSURE; AIR, WATER, DIESEL						
508 125	50' (15M)	1"	1" NPTM	1" NPTF	300 PSI	508 925
508 152	100' (30M)	1/2"	1/2" NPTM	1/2" NPTF	300 PSI	508 942
MEDIUM PRESSURE; LUBRICANTS						
508 225	50' (15M)	1"	1" NPTM	1" NPTF	1500 PSI	508 925
508 234	65' (20M)	3/4"	3/4" NPTM	3/4" NPTF	1500 PSI	508 924
508 244	80' (25M)	3/4"	3/4" NPTM	3/4" NPTF	1500 PSI	508 944
508 252	100' (30M)	1/2"	1/2" NPTM	1/2" NPTF	1500 PSI	508 942

1800 SERIES MANUAL REWIND

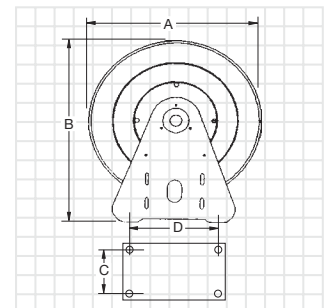
Unitized construction: Drum, spool and frame all fabricated of heavy gauge steel. No welds. All bolted construction with self-locking, vibration-proof fasteners. Locking spool prevents rotation when not in use. Permanently lubricated dual main bearings. Full flow swivel and shaft for max delivery. Nickel-plated swivel with viton "O" ring seals. Adjustable drag for dereeling.



Model	Hose Capacity	Operating Pressure	Inlet
1803	200' of 1/2" I.D.	1000 PSI	1/2"
1805	100' of 3/4" I.D.	1000 PSI	3/4"

Manual Rewind Series are reel only models (No hose)

- A: 17³/₄"
- B: 20¹/₄"
- C: 9"
- D: 15³/₄"



HOSE REELS

REELS

04

NITROGEN DISPENSING HOSE REEL



MODEL	BARE REEL	DESCRIPTION	HOSE MODEL
1410	1400	30' of 3/8" I.D. Green hose	817 G
1412	1400	40' of 3/8" I.D. Green hose	818 G

Reels are shipped as standard ceiling mount reels.
Please specify - SR for side roller outlet index when ordering.

Note: Order optional inlet connecting hose extra

MODEL	BARE REEL	DESCRIPTION	HOSE MODEL
1662	1650	50' of 3/8" I.D. Green hose	819 G
1664	1650	60' of 3/8" I.D. Green hose	820 G

Reels are shipped as standard ceiling mount reels.
Please specify - SR for side roller outlet index when ordering.

Note: Order optional inlet connecting hose extra

OXYGEN-ACETYLENE REELS

DUAL HOSE OXYGEN-ACETYLENE REELS

Dual swivel body made from aluminum, coated for resistance, designed for positive separation of gases. Special molded, double sealed "O" rings prevent leakage.

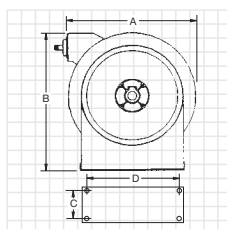
Inlet and swivel body identified with grooves on the acetylene side assures proper installation.

Hose supplied is Twin-Siemese type meeting R.M.A. and C.G.A. type V.D., grade RM specifications. Use of other types is not recommended.

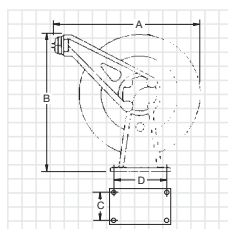


Model 1852

Model 1854



A: 13³/₄" ; B: 14¹/₂"
C: 2¹/₂" ; D: 9³/₄"



A: 19" ; B: 21¹/₄"
C: 3³/₄" ; D: 7³/₄"

MODEL	TWIN HOSE	PSI
1852	25' 1/4"	200
1854	50' 1/4"	200
TWIN INLET (ORDER EXTRA)		
899	2' 1/4"	200

ELECTRIC CORD REELS



Model 3173

Power supply reel with 30' retractable 3 outlet power supply cord. Features include 3-wire cord for positive grounding of electrical tools, and one piece molded plugs for added safety. Includes necessary hardware for wall or ceiling mounting. Fits all standard grounded electrical outlets. 16/3 cord rated 10 amps.

Model 4040

Double power supply reel. All models have two outlets in a rugged metal enclosure, with spring loaded protective covers over the outlets. Box is grounded. Water tight strain relief bushing on all models where reel cord enter top of box. 115 volt, 60 hz, single phase, 20 amp. Adjustable guide arm, allows wall, ceiling, or bench mounting. Industrial type collector ring transfers stationary power to the rotating reel cord. 6' inlet power cord with ground plug. 40' oil resistant type SJTO/SJTOW-A, three conductor 14/3 cord.

ELECTRIC LIGHT CORD REELS



Model 3174

Automatic retractable trouble light with built-in safety switch. Light turns on when cord is pulled out. Shuts off when cord is fully retracted. Safety switch shuts off current at power source...no switch or tool tap in handle. Bulb guard insulated to prevent sparking. 40' cord length. 18/2 cord. Stubby light.

Model 3175

Similar to 3174, except 50' 18/2 cord with switch in handle.

Model 3171

40' stubby light reel with tool tap in handle.

Model 3172

30' stubby light reel with switch in handle.

HOSE REELS

REELS

04

REPLACEMENT HOSE ASSEMBLIES

MODEL NO.	I.D.	LENGTH IN FEET	HOSE END FITTINGS*	WORKING PRESSURE PSI
Air/Water Low Pressure Hose – SAE 100 R6 *(Swivel One End)				
801	1/4"	2	1/4" NPTM	300
802	1/4"	5	1/4" NPTM	300
803	1/4"	10	1/4" NPTM	300
805	1/4"	25	1/4" NPTM	300
806	1/4"	30	1/4" NPTM	300
808	1/4"	40	1/4" NPTM	300
809	1/4"	50	1/4" NPTM	300
812	3/8"	2	3/8" NPTM	300
813	3/8"	5	3/8" NPTM	300
814	3/8"	10	3/8" NPTM	300
815	3/8"	15	3/8" NPTM	300
816	3/8"	25	3/8" NPTM	300
817	3/8"	30	3/8" NPTM	300
818	3/8"	40	3/8" NPTM	300
819	3/8"	50	3/8" NPTM	300
819-4	3/8"	50	1/4" NPTM	300
820	3/8"	60	3/8" NPTM	300
822	1/2"	2	1/2" NPTM	300
823	1/2"	5	1/2" NPTM	300
824	1/2"	10	1/2" NPTM	300
825	1/2"	15	1/2" NPTM	300
826	1/2"	30	1/2" NPTM	300
828	1/2"	40	1/2" NPTM	300
829	1/2"	50	1/2" NPTM	300
830	1/2"	60	1/2" NPTM	300
831	1/2"	70	1/2" NPTM	300

MODEL NO.	I.D.	LENGTH IN FEET	HOSE END FITTINGS*	WORKING PRESSURE PSI
Grease High Pressure Hose – SAE 100 R2 *(Swivel One End)				
870	1/4"	2	1/4" NPT MBE	5000
871 000	1/4"	5	1/4" NPTM	5000
872 000	1/4"	10	1/4" NPTM	5000
873 000	1/4"	15	1/4" NPTM	5000
874 000	1/4"	20	1/4" NPTM	5000
875 000 *	1/4"	25	1/4" NPTM	5000
876 000 *	1/4"	30	1/4" NPTM	5000
877 000	1/4"	7	1/4" NPTM	5000
878 000 *	1/4"	40	1/4" NPTM	5000
879 000 *	1/4"	50	1/4" NPTM	5000
880 000*	1/4"	60	1/4" NPTM	5000
883	3/8"	2	3/8" NPTM	4000
884	3/8"	5	3/8" NPTM	4000
885	3/8"	10	3/8" NPTM	4000
887	3/8"	20	3/8" NPTM	4000
888	3/8"	25	3/8" NPTM	4000
889	3/8"	30	3/8" NPTM	4000
891	3/8"	40	3/8" NPTM	4000
892	3/8"	50	3/8" NPTM	4000
893	3/8"	60	3/8" NPTM	4000

* 25' through 60' hose lengths are 1/2" male swivel on one end

MODEL NO.	I.D.	LENGTH IN FEET	HOSE END FITTINGS*	WORKING PRESSURE PSI
Oil Medium Pressure Hose – SAE 100 R1 *(Swivel One End)				
833	3/8"	2	3/8" NPTM	1500
834	3/8"	5	3/8" NPTM	1500
835	3/8"	10	3/8" NPTM	1500
837	3/8"	20	3/8" NPTM	1500
838	3/8"	25	3/8" NPTM	1500
839	3/8"	30	3/8" NPTM	1500
841	3/8"	40	3/8" NPTM	1500
842	3/8"	50	3/8" NPTM	1500
843	3/8"	60	3/8" NPTM	1500
845	1/2"	2	1/2" NPTM	1500
846	1/2"	5	1/2" NPTM	1500
847	1/2"	10	1/2" NPTM	1500
848	1/2"	15	1/2" NPTM	1500
849	1/2"	20	1/2" NPTM	1500
850	1/2"	25	1/2" NPTM	1500
851	1/2"	30	1/2" NPTM	1500
853	1/2"	40	1/2" NPTM	1500
854	1/2"	50	1/2" NPTM	1500
855	1/2"	60	1/2" NPTM	1500
856	1/2"	70	1/2" NPTM	1500
857	3/4"	5	3/4" NPTM	1250
858	3/4"	10	3/4" NPTM	1250
859	3/4"	50	3/4" NPTM	1250
860	3/4"	2	3/4" NPTM	1250
861	3/4"	20	3/4" NPTM	1250
863	1"	5	1" NPTM	1250
867	1"	10	1" NPTM	1250

Inlet connecting hoses

Inlet hoses are used between reel and permanent plumbing, especially where vibration is present. All inlet hoses are 24" long.

Model	Hose I.D."	Hose Ends	PS.I.
801	1/4	1/4" NPT (M)	300
812	3/8	3/8" NPT (M)	300
822	1/2	1/2" NPT (M)	300

833	3/8	3/8" NPT (M)	3000
845	1/2	1/2" NPT (M)	2500

870	1/4	1/4" NPT (M)	5000
883	3/8	3/8" NPT (M)	4000

MODEL NO.	I.D.	LENGTH IN FEET	HOSE END FITTINGS*	WORKING PRESSURE PSI
-----------	------	----------------	--------------------	----------------------

Twin Welding Inlet Hose				
899	1/4"	2	3/8" NPTM	200

Twin Welding Outlet Hose				
899-25	1/4"	25	3/8" NPTM	200
899-50	1/4"	50	3/8" NPTM	200

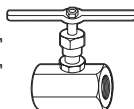
Hose stops



Model	For Hose I.D.
2022	1/4"
2024	3/8"
2026	1/2"
2032	3/4"
528 001	1"

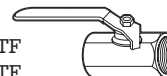
High Pressure Needle Valve

10,000 PSI	
2077	1/2" NPTF
2089	3/4" NPTF
2093	1" NPTF



Medium Pressure Ball Valve

2,000 PSI	
2074	1/2" NPTF
2083	3/4" NPTF
2090	1" NPTF



Low Pressure Ball Valve

400 PSI	
2013	1/4" NPTF
2088	1/2" NPTF
2091	3/4" NPTF
2084	1" NPTF

